



Diversified Metal Fabricators Service Bulletin SB 2049

Title	RW-1019 Long Arm Slots Issues for 2005-2006 Ford F-450/550's
Document No.	SB 2049
Issue Date	12/27/06 (WAK)
Units Affected	2005-06 Ford F-450s and F-550s
Purpose	This service bulletin addresses a product improvement for RW-1019 front railgear on model year 2005 and newer Ford F-450's and F-550's.

Summary:

In 2005 DMF shipped sets of RW-1019 railgear for model year 2005-2006 and newer Ford F-450/550s without the proper washers for the rear long arm pins on the front rail gear. As a result, there was excessive wear of the pins and slots.

In order to address these wear issues, several configurations (front slots, rear slots) were tried. We have standardized on a rear slot arrangement which uses bearing rails and a sliding bar.

DMF will provide parts to convert affected RW-1019 to the current specification. DMF will not reimburse any labor charges without prior approval. Please contact our service department for approval.

Process:

Identify units requiring updated parts

The following longarms should be replaced:

- Longarms with front slots
- Longarms with rear slots without guide rails & slide bars (see Fig. 1)

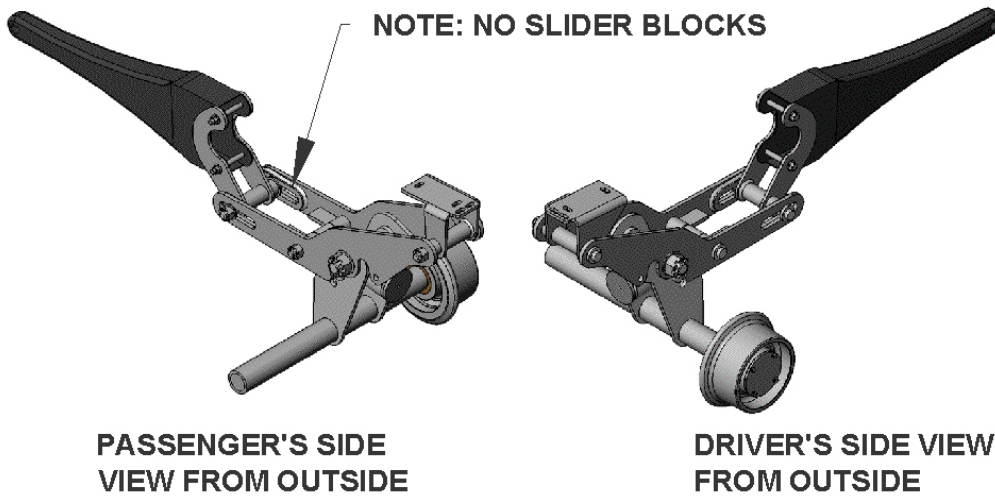
These arms will be replaced with new longarms that use a guide rail and slide bar (see Fig. 2 & Fig. 3). Long arms will be provided with new pins, washers and nuts.

The DMF part number for the retrofit kit is 11362.

Please take this opportunity to inspect the condition of the front and rear bracket and replace if necessary. Contact DMF if you have any questions.

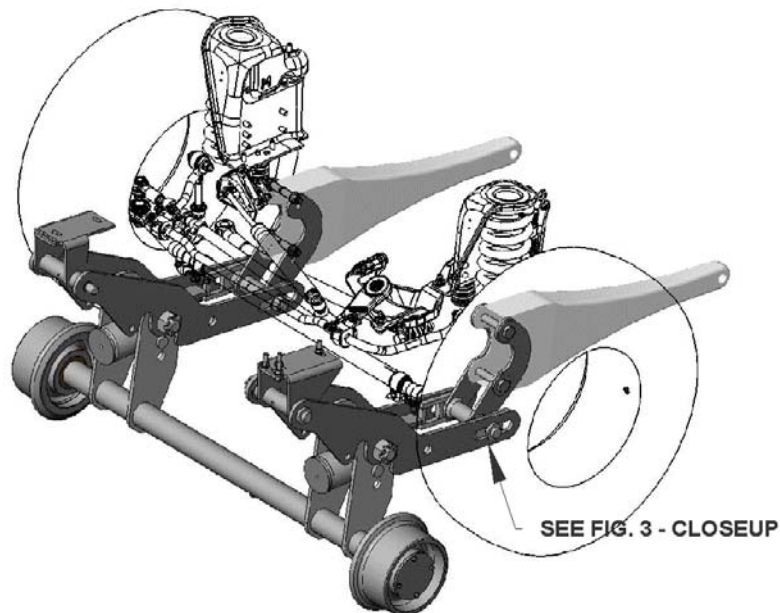


**Diversified Metal Fabricators
Service Bulletin SB 2049**



OLD LONGARMS - REAR SLOTS

Fig. 1: Older Longarms - to be replaced



NEW LONGARMS - REAR SLOTS

Fig. 2: New Longarms



**Diversified Metal Fabricators
Service Bulletin SB 2049**

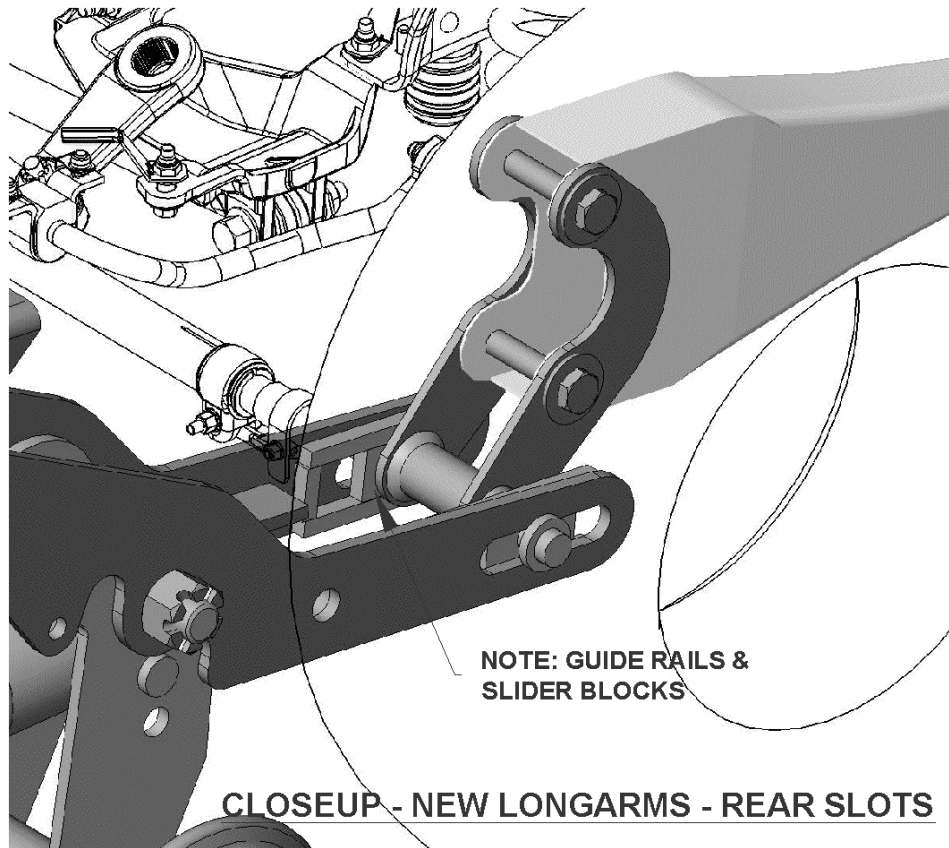


Fig. 3: New Longarms - Closeup

DMF will replace defective parts under DMF's warranty terms. DMF will not cover parts that have been subjected to gross overloading or blatant abuse. DMF may require the return of affected parts to determine coverage.

Diversified Metal Fabricators

Phone: (404) 875-1512

Email: info@dmfatlanta.com

Web: www.dmfatlanta.com