



Diversified Metal Fabricators Service Bulletin SB 2048:

Title	RW-1013 Pump Protection Circuit Breakers
Document No.	SB 2048
Issue Date	9/12/06 (WAK) Supersedes SB 2044 & SB 2043
Units Affected	Model year MY02 through MY06 w/ 2-pump hydraulic systems.
Purpose	This service bulletin addresses problems with circuit breakers failing under repeated loads or higher temperatures.

Summary:

DMF RW-1013 units equipped with a 2-pump system were originally equipped with 50A circuit breakers (CBs) on electric Pin-off circuits and pump circuits. In order to protect the PO circuit from over use, SB 2044 was introduced, changing the 50A CBs to 10A CBs. In order to protect the pump from over use the pump CBs were changed to 30A from 50A. Our experience has shown that the 30A is not tolerant of heavy usage in warmer conditions. We are now recommending that the 30A CBs be replaced with 50A CBs. The Pin-Off CBs should still be 10A. Unit with locking valves instead of Electric Pin-offs only need to be concerned with the pump circuit breakers.

Process:

Replace Pump Circuit Breakers

1. Identify the breaker assembly typically located on the firewall on the same side as the battery.
2. Identify the pump breakers. They are attached to (2) 10GA green wires on the output terminals. (some units have only one pump CB which should be changed for a 50A)
3. Verify that pump breakers are 50A CBs. If they are 50A then they are correct and do not require changing.
4. If 30A or other, replace with provided 50A CBs. Refer to figure 1. (Note: the arrangement of CBs is generally as shown but use the indicated wire colors to verify.)
5. If equipped with electric pin-offs, identify the (2) Pin-Off CBs. They have (2) 10GA purple wire on the output terminals.
6. If the Pin-Off CBs are not 10A, replace with provided 10A CBs.
7. Coat connections with liquid tape or other contact protectant.



Diversified Metal Fabricators Service Bulletin SB 2048:

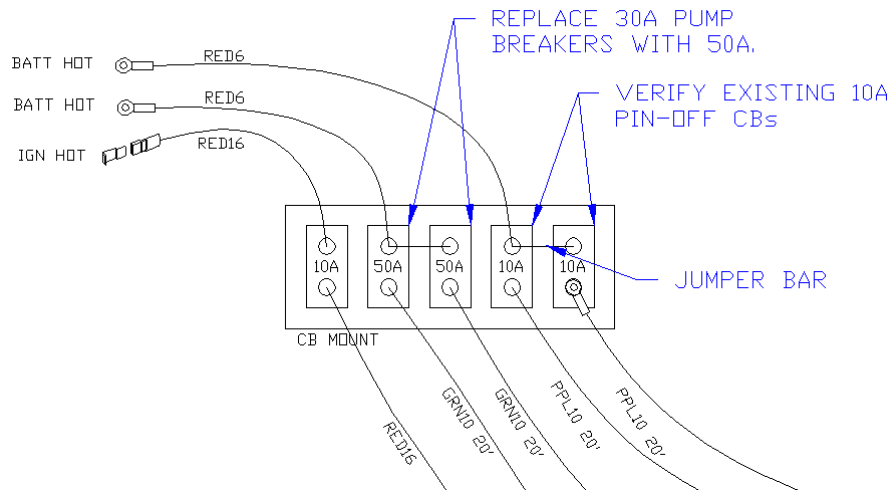


Figure 1: System with Electric PO (PART#SB2048a)

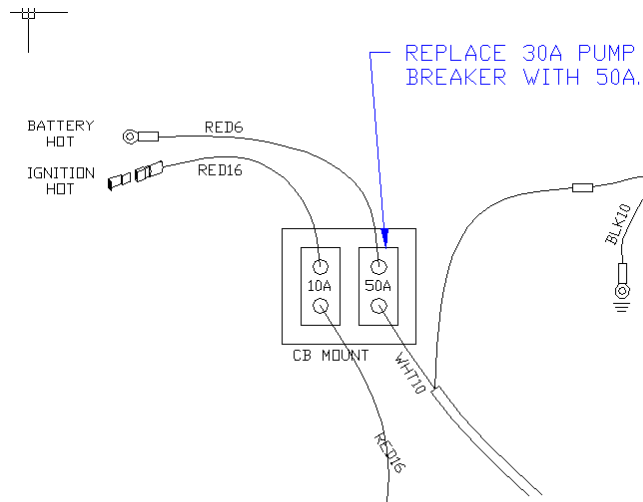


Figure 2: System w/ Locking Valves (PART#SB2048B)

To allow for upgrading existing units, DMF will provide replacement breakers for any applicable unit but will not pay installation labor.

DMF will replace defective parts under DMF's warranty terms. DMF will not cover parts that have been subjected to gross overloading or blatant abuse. DMF may require the return of affected parts to determine coverage. All warranty claims must include the railgear serial number.

Diversified Metal Fabricators
Phone: (404) 875-1512
Email: info@dmfatlanta.com
Web: www.dmfatlanta.com